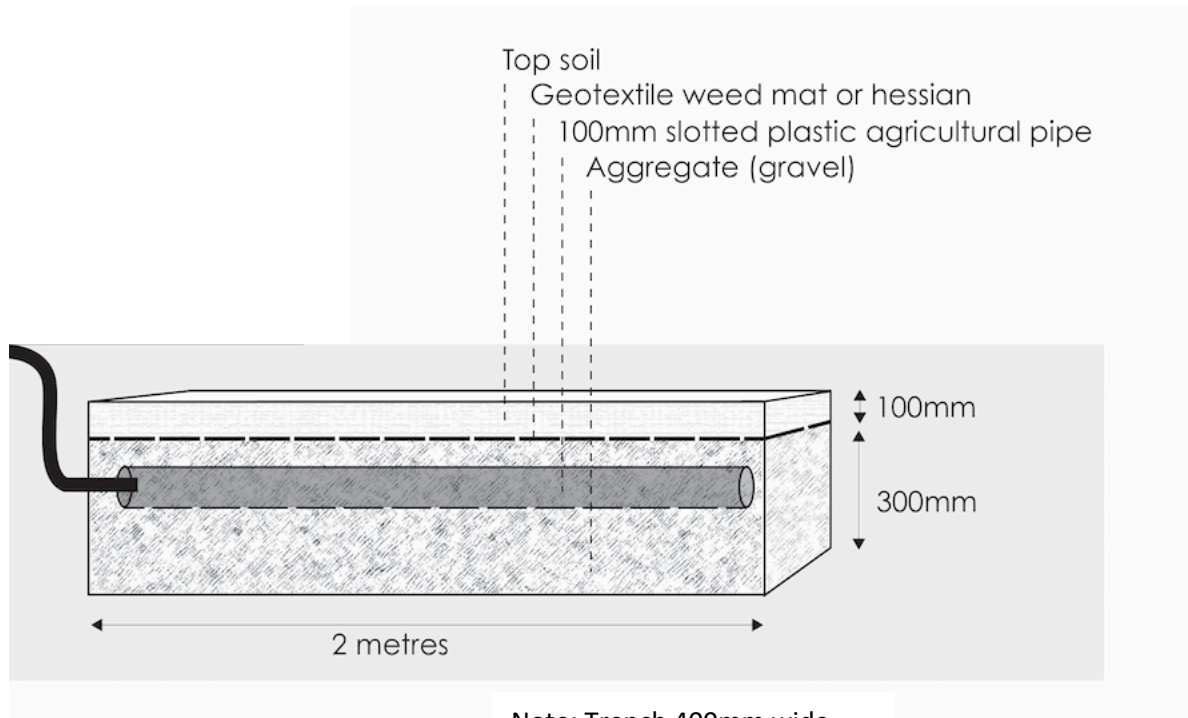


Trench detail for urine.



Requires:

.3 metres of aggregate

2 metres of 100 mm slotted PVC

2metres of Geotextile cloth